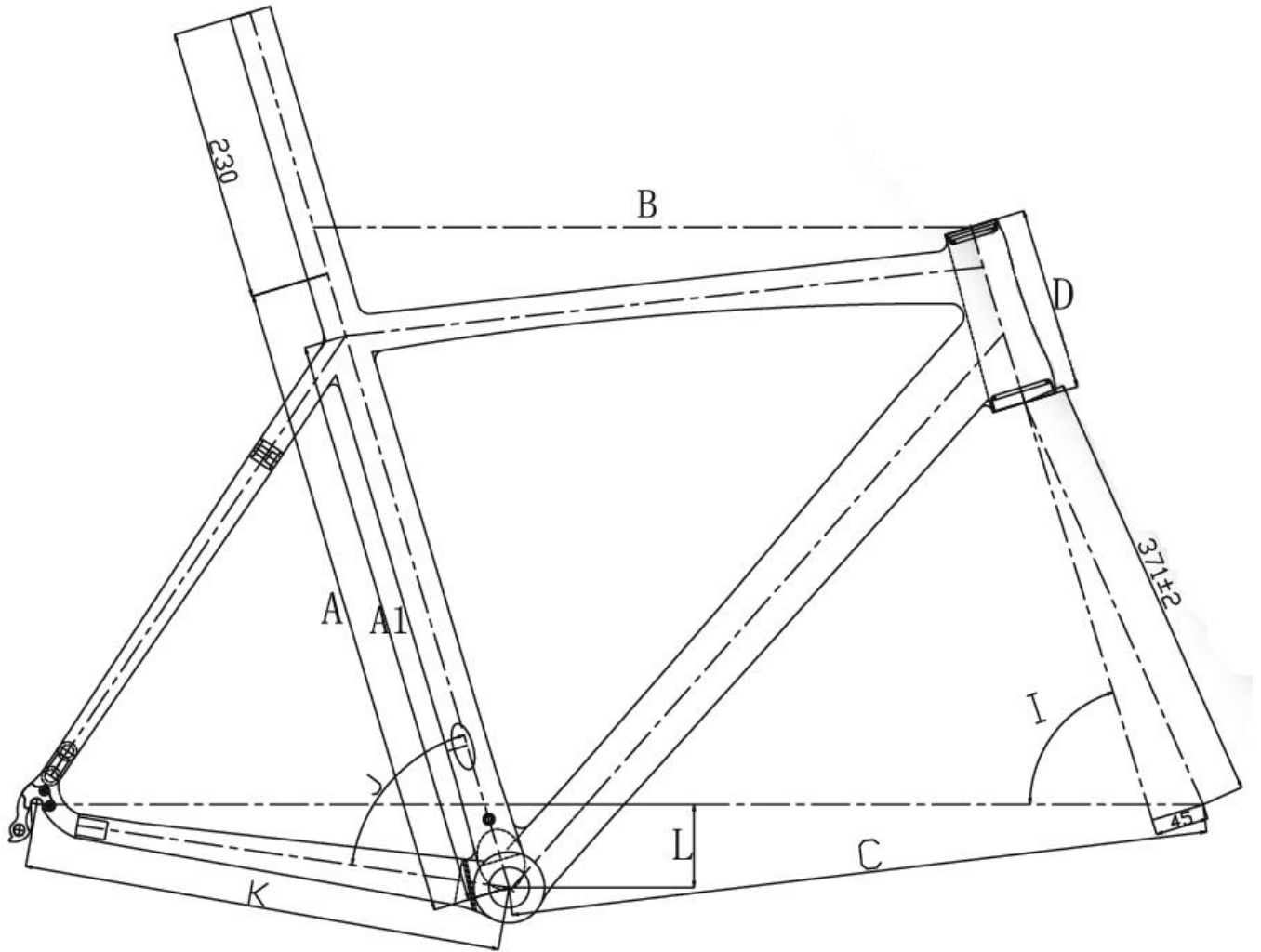


GEOMETRY FOR RS5 FRAME



ROAD CARBON RS5 / R5

SIZE	A	A1	B	C	D	I	J	K	L
480	480	425.5	525	577.4	90	72.5	75	405	72.5
510	510	455.5	540	579.8	120	73	74	405	70
540	540	485.5	555	590.1	155	73	73.5	405	70
570	570	515.5	570	600.2	190	73	73	408	67.5
600	600	545.5	590	620.1	220	73	73	408	67.5

NEW

700C ROAD CARBON FRAME

TUBE TO TUBE PROCESS

SIZE : 48, 51, 54, 57, 60 cm**FINISH :** 12K, UD(RS5): UPPER $\phi 46/42$ and LOWER $\phi 56/52$ HEADTUBE / INTEGRATED

SEATPOST

(R5): UPPER $\phi 46/42$ and LOWER $\phi 56/52$ HEADTUBE / $\phi 31.6$ mm SEAT-

POST

WEIGHT : (RS5): APPROX 900 g \pm 50 g (51 cm)(R5): APPROX 850 g \pm 50 g (51 cm)

DE:ZIGNERBIKEZ