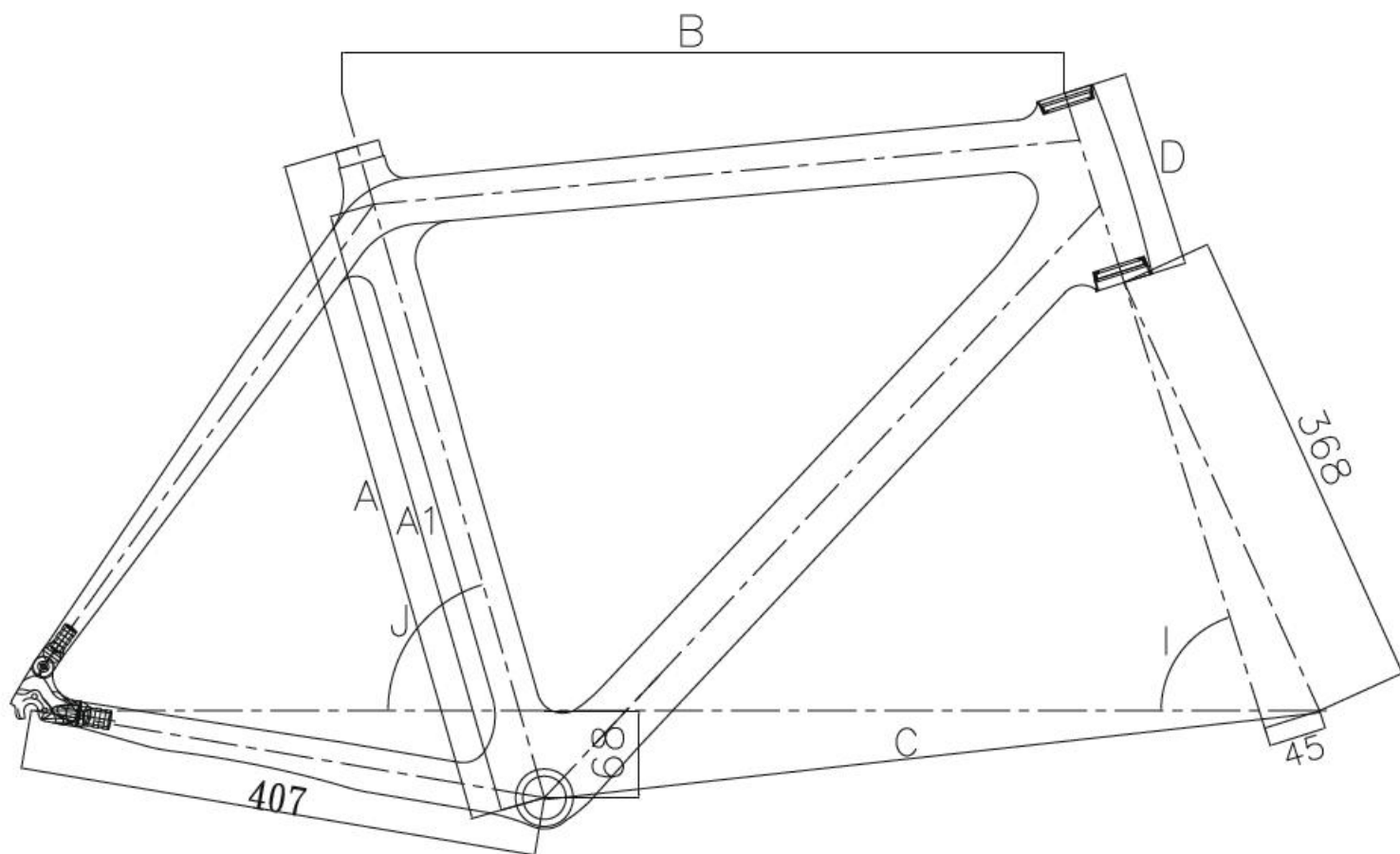


GEOMETRY FOR R4 FRAME



ROAD CARBON R4

SIZE	A	A1	B	C	D	I	J
450	450	408	525	582.5	115	72	75
490	490	449	550.8	595.3	135	72.5	74
530	530	482	565	609.9	155	72.5	74
560	560	494	579	610.7	170	73	73

700C ROAD CARBON FRAME

MONOCOQUE COMPACT

SIZE : 45, 49, 53, 56 cm , C TO T**FINISH :** 12K

φ50mm OD HEADTUBE / φ31.6mm SEATPOST

WEIGHT : APPROX 1250 g ± 50 g (53 cm)**AVAILABLE FORK :** AN-831 (CURVE) ; AN-836 (STRAIGHT)

BS EN 14781

DE:ZIGNER:BIKE:Z